

ANIE
AUTOMAZIONE



Simulation and Virtualization

Leonardo Cipollini
Siemens Digital Industries - Software

SIEMENS

Artificial Intelligence

Generative Design

Individualization

Advanced Robotics

Digitalization

Additive Manufacturing

Future of Automation

Edge Computing

Internet of Things

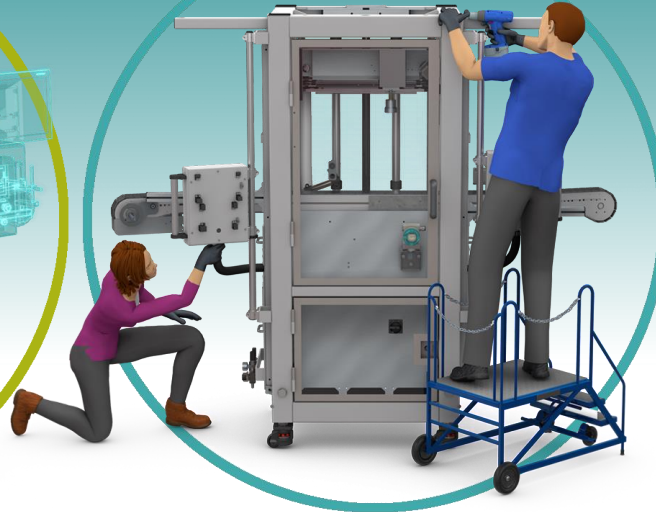
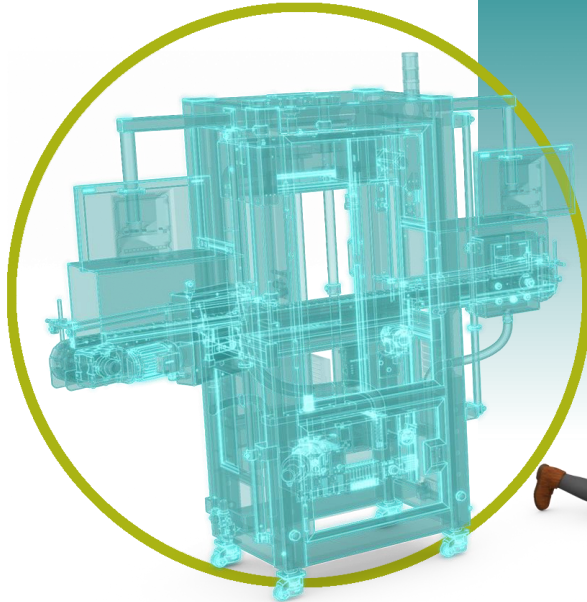
Digital Twin

Delivering a complete Digital Twin

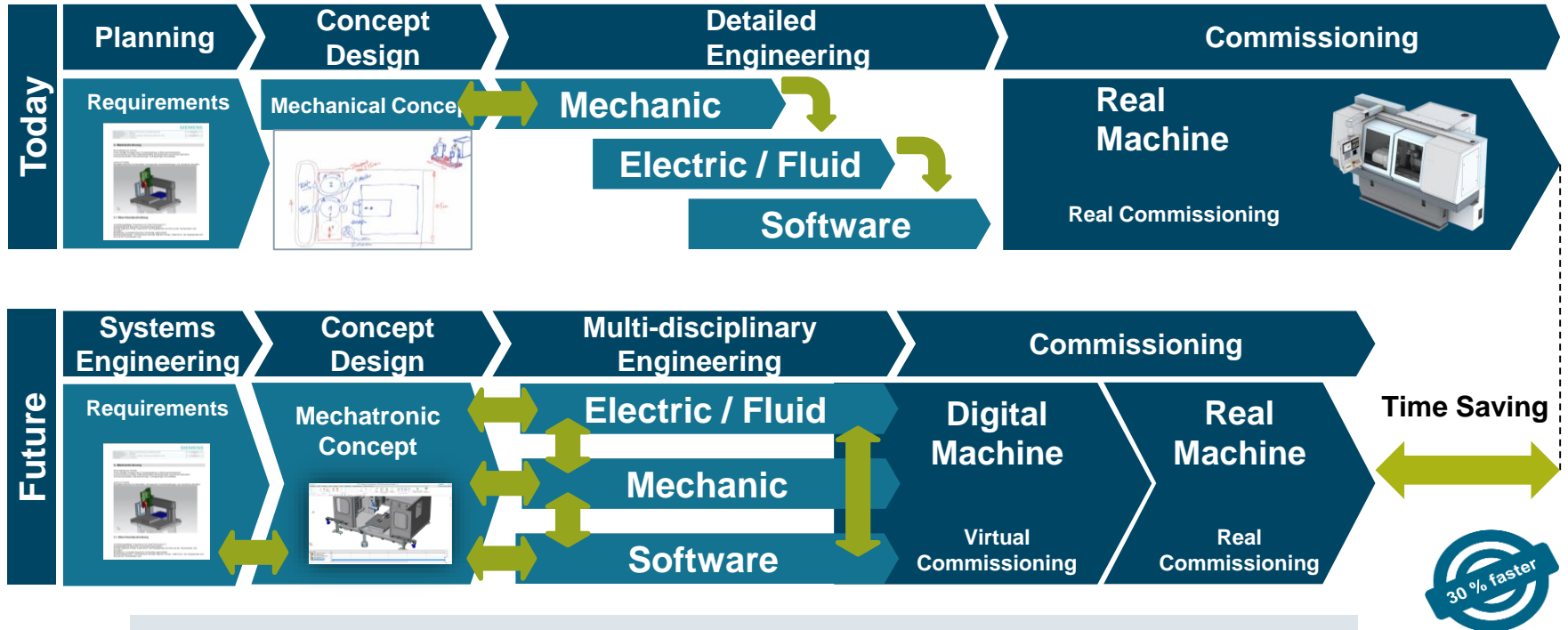
Digital Product

Digital Production
Holistic Digital Twin

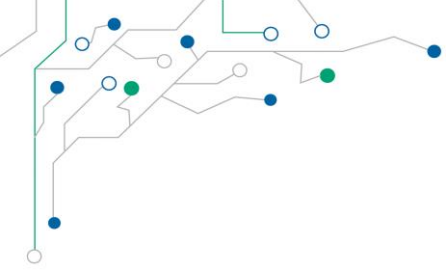
Digital Performance



Advanced Machine Engineering



Reduction of the time from concept to delivery

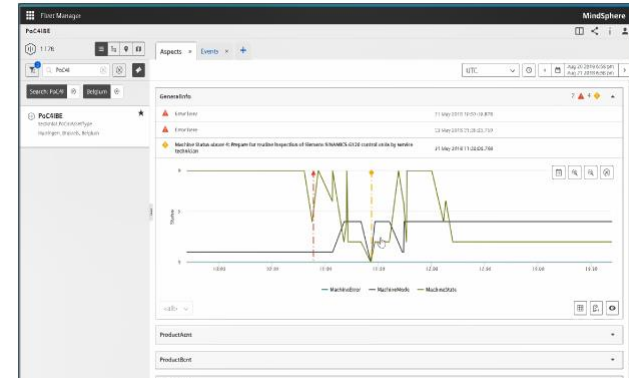
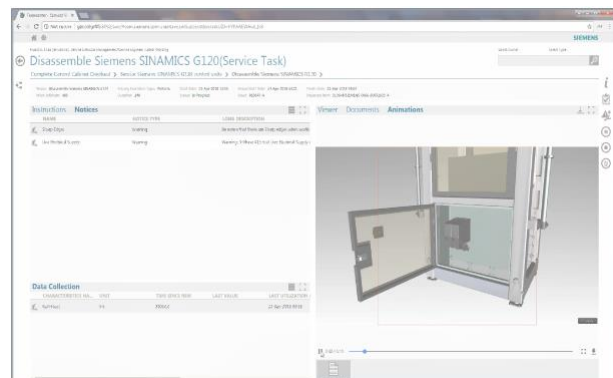
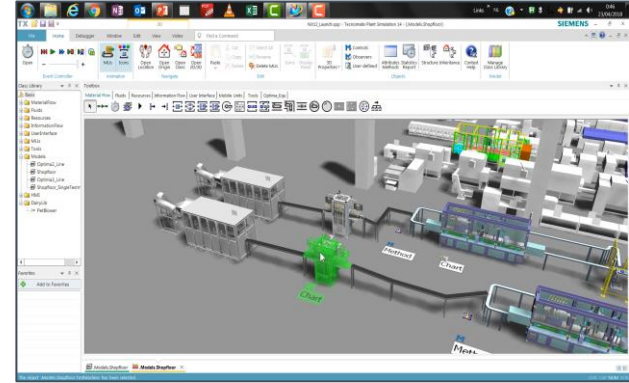
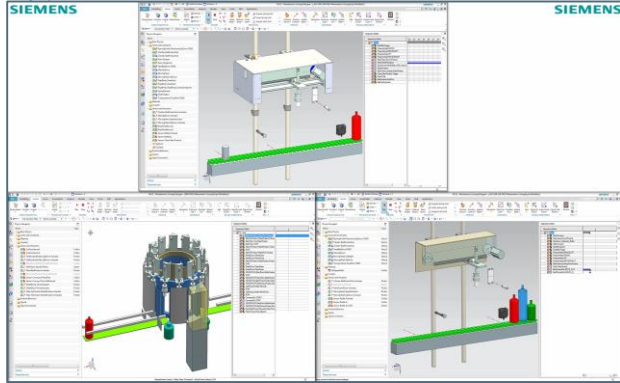


Virtual Commissioning

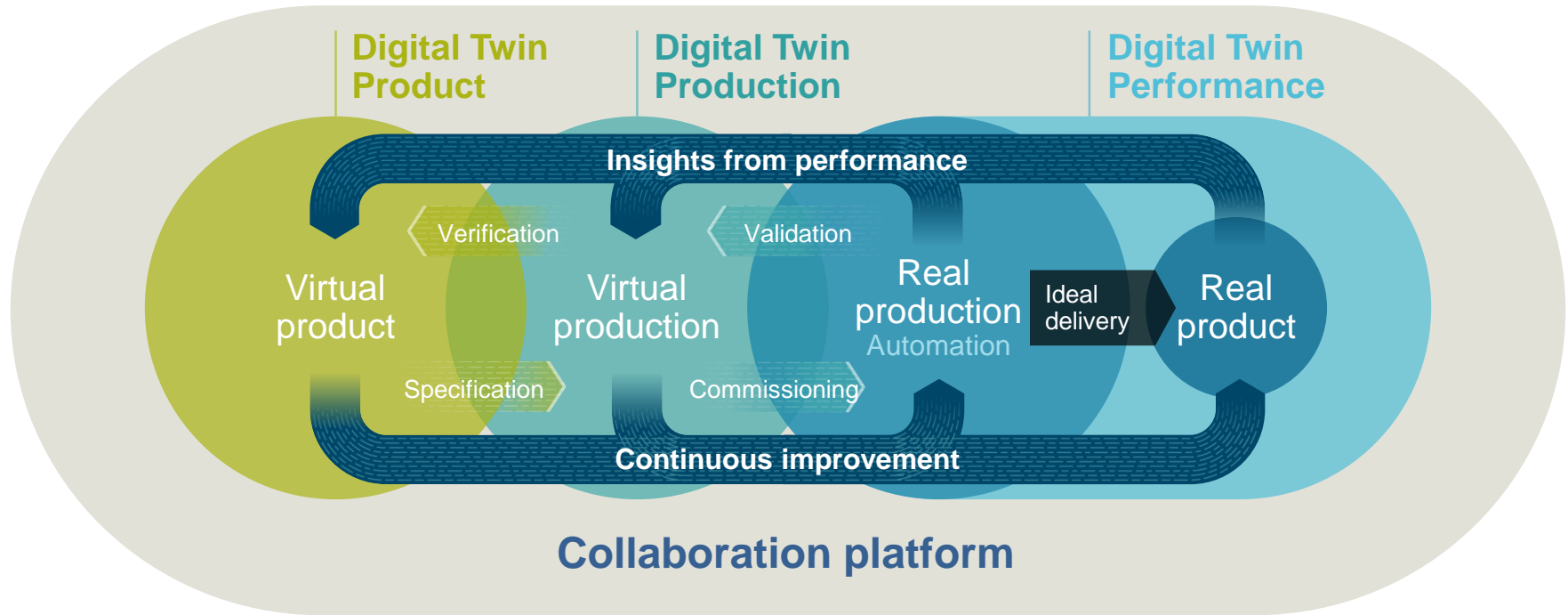
Seamless
connection of the
digital model to the
real world



Use of the Digital Twin on the machine development lifecycle



Closed loop development and manufacturing process





Simulation and Virtualization Summary

Conceptual design

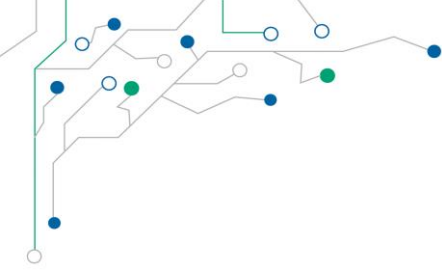
Seamless engineering from the idea (concept) up to commissioning

**Multi-disciplinary
Engineering**

Communication platform between electrical and mechanical design and automation engineering

Commissioning

Error reduction & shortening the time at the real commissioning / real machine



Thank you for your attention

Leonardo Cipollini

Siemens Digital Industries - Software



SIEMENS